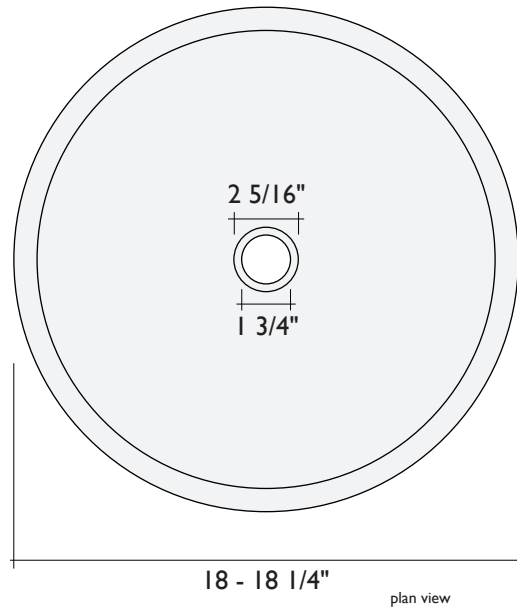


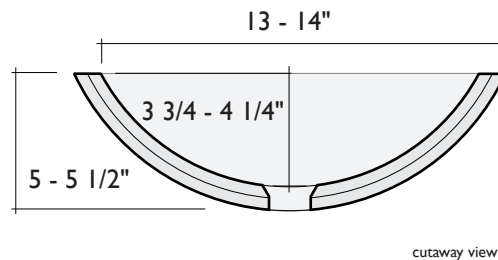
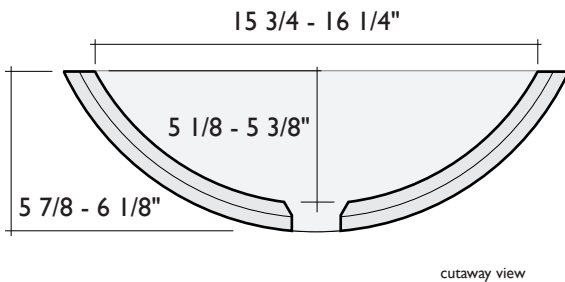
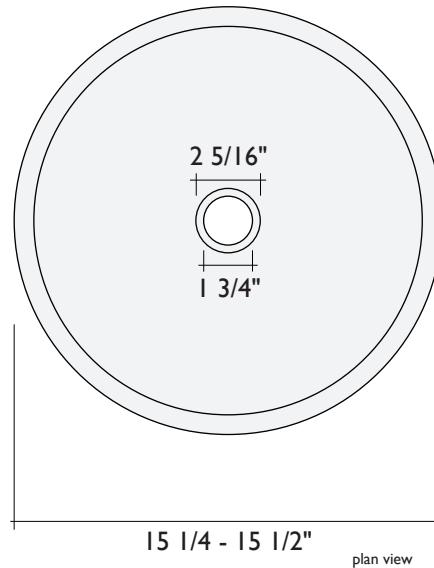


# SPECIFICATIONS: SINKS (ABOVE-COUNTER):

## STANDARD ROUND (18" DIAMETER)



## SMALL ROUND (15" DIAMETER)



## EDGES



Machine Polished (Misto & Glacier)



Erosion Edge (Fused)



Ground & Polished (Fused)

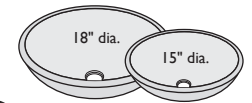


Ground & Polished (Gold & Platinum)

## ITEM NUMBERS:

Machine Polish

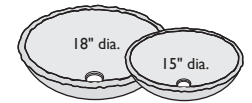
ABIX01.81  
ABIX02.81



Misto  
Glacier

Erosion Edge

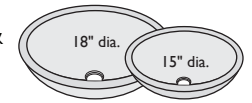
ABIX11.82  
ABIX12.82  
ABIX13.82  
ABIX14.82  
ABIX15.82  
ABIX21.82  
ABIX22.82



Velvet Cienega  
Coral Cienega  
Lava Cienega  
Cienega Ether  
Cienega Fireworks  
Burnished Fossil  
Fallen Leaves

Ground & Polished

ABIX02.83  
ABIX11.83  
ABIX12.83  
ABIX13.83  
ABIX14.83  
ABIX15.83  
ABIX21.83  
ABIX22.83  
ABIX41.83  
ABIX42.83



Glacier  
Velvet Cienega  
Coral Cienega  
Lava Cienega  
Cienega Ether  
Cienega Fireworks  
Burnished Fossil  
Fallen Leaves  
Pure Gold  
Platinum

For item number, replace 'X' with 1 for 18" diameter sinks, and 2 for 15" diameter sinks.

**NOTES:** Thickness is 1" for fused glass sinks (Cienega and Etched Metal designs), and 3/4" for monochrome (single layer) glass sinks (Misto, Glacier, Gold and Platinum). Above-Counter Sinks are round and do not have a flattened bottom. They should not be installed flush against a flat surface. Please see "Sink Care and Installation Instructions for important care and maintenance information, as well as "Installation Ideas for Above-Counter Sinks" for various solutions including pedestals, slumped or carved countertops, and Alchemy's Brass Donut mounting ring.

ALCHEMY  
GLASS & LIGHT  
[www.alchemyglass.com](http://www.alchemyglass.com)