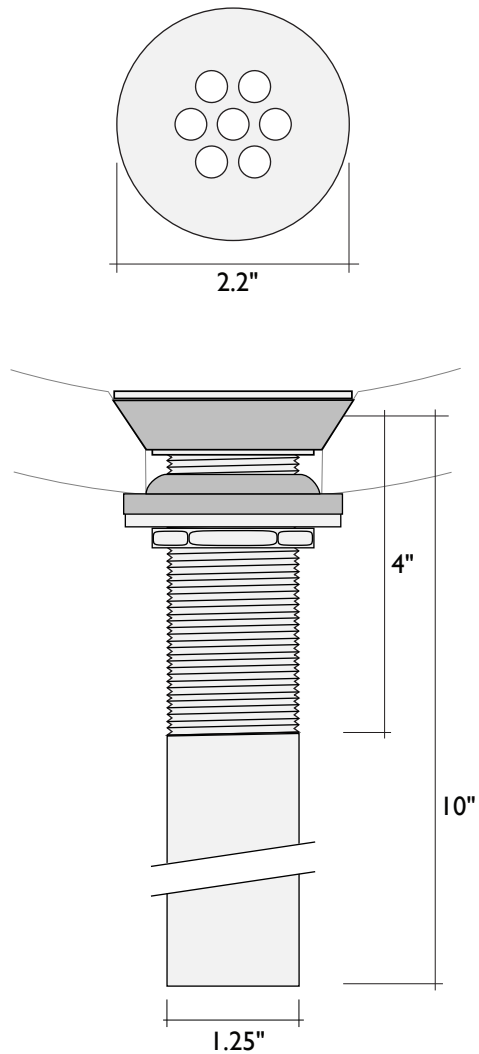


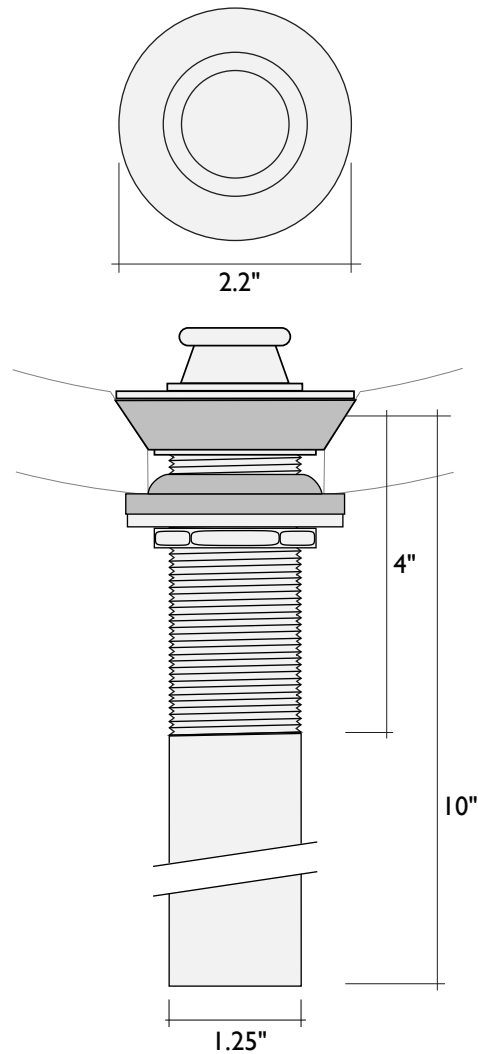


SPECIFICATIONS: DRAIN ASSEMBLIES:

STRAINER DRAIN

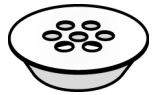


LIFT 'N TURN DRAIN



ITEM NUMBERS:

Strainer
Drain Assembly



- AB6181.01 Raw
- AB6181.11 Polished Chrome
- AB6181.12 Satin Chrome
- AB6181.21 Polished Brass
- AB6181.22 Satin Brass
- AB6181.23 Antique Brass
- AB6181.31 Polished Nickel
- AB6181.32 Satin Nickel
- AB6181.33 Antique Nickel
- AB6181.43 Antique Copper
- AB6181.51 Polished Gold
- AB6181.52 Satin Gold
- AB6181.64 Oil-Rubbed Bronze
- AB6181.65 Verde

Lift 'n Turn
Drain Assembly



- AB6281.01 Raw
- AB6281.11 Polished Chrome
- AB6281.12 Satin Chrome
- AB6281.21 Polished Brass
- AB6281.22 Satin Brass
- AB6281.23 Antique Brass
- AB6281.31 Polished Nickel
- AB6281.32 Satin Nickel
- AB6281.33 Antique Nickel
- AB6281.43 Antique Copper
- AB6281.51 Polished Gold
- AB6281.52 Satin Gold
- AB6281.64 Oil-Rubbed Bronze
- AB6281.65 Verde

NOTES: Drain Assemblies are machined from solid brass and include the following parts: Brass drain Cap, Rubber drain gasket, Rubber drain washer, Brass flat washer, Brass nut, 10" long Brass tailpiece with 4" thread. All brass parts are plated to match the drain cap finish unless specifically requested otherwise. Not for use with sinks that have overflows (there is no side outlet in tailpiece). For additional information, see Drain Installation Instructions. Longer tailpieces and/or longer threaded sections can be custom ordered.

ALCHEMY
GLASS & LIGHT
www.alchemyglass.com